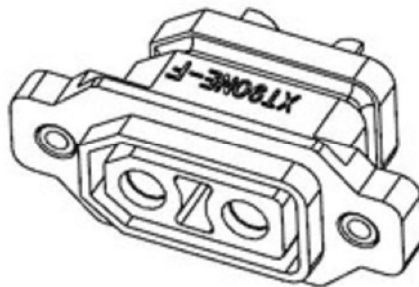
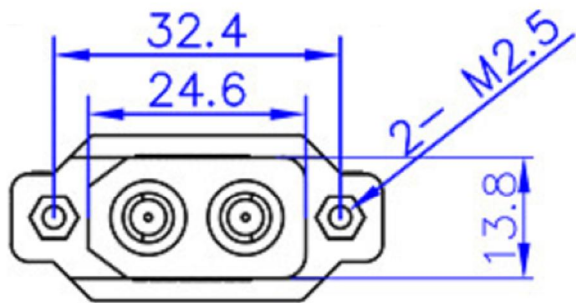


安装孔尺寸



产品型号:

产品颜色:

瞬时电流: 60A/12#

额定电流: 30A/12#

接触电阻: 0.40mΩ

耐电压: DC 500V

阻燃等级: UL94-V0

推荐应用: 锂电池/控制器

金属材质: 镀金

推荐线规: 8#/10#/12#

绝缘材质: PA6

工作温度: -20°C to 120°C

推荐使用次数: 100times



東莞市高迪電子有限公司
DONG GUAN GAO DI ELECTRONICS CO., LTD

TOLERANCE UNLESS OTHERWISE STATED:
Up to 5 ±0.2
Above 5 ~ 15 ±0.3
Above 15 ~ 30 ±0.4
Above 30 ~ 50 ±0.5
Angle ±0.3°

3RD.
ANGEL'S



UNITS MM

DRAWN BY: Ming Ming Zou
DATE: 07/23/13
CHECKED BY: Ning Ning Su
DATE: 07/23/13
APPROVED BY: Jia Xiang
DATE: 07/23/13

MAT'L
FINISH
SCALE: 1 : 1
SHEET NO. 1 of 1

TITLE: ENCODER
MODLE: ENCODER
DWG NO.: GD-TX-90E-M
PART NO.:

SIZE: A4
VER: R2

ITEM NO.	DESCRIPTION	DRAWN	DATE
2	公差及料號更新	Jack	072313
1	圖面更新	Frank Wu	021012